

Horizontal Scourer

GKS

Genc Degirmen
MILLING MACHINERY

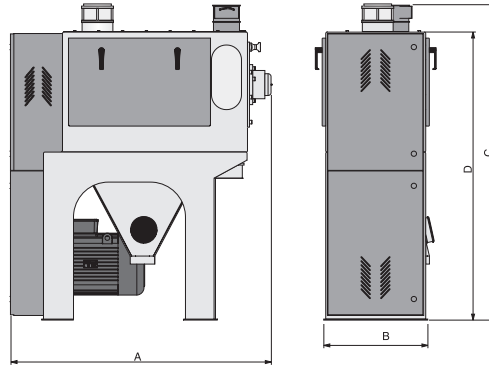
Excellent Milling Properties...

WORKING PRINCIPLES

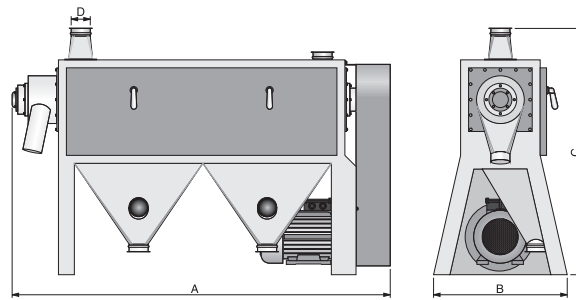
Horizontal scourer is used to clean up dust, sand and glume particles which stuck on wheat.



Product Data Sheet



| Type | Technical Features | | | Dimensions (mm) | | | | Weight (kg) |
|-----------|--------------------|------------|--------------------------|-----------------|-----|------|------|-------------|
| | Capacity (t/h) | Power (kw) | Volume (m ³) | A | B | C | D | |
| GKS 30/60 | 5-7 | 7.5 | 1 | 1260 | 550 | 1510 | 1455 | 550 |
| | 6-8 | 11 | 1.5 | | | | | 650 |
| GKS 45/80 | 12-14 | 15 | 1.7 | 1610 | 700 | 1695 | 1605 | 1040 |
| | 15-20 | 18.5-22 | | | | | | 1100 |



| Type | Technical Features | | | | Dimensions(mm) | | | | Weight (kg) |
|------------|--------------------|------------------------------------|------------|--------------------------|----------------|-----|------|-----|-------------|
| | Capacity (t/h) | Air Required (m ³ /min) | Power (kw) | Volume (m ³) | A | B | C | D | |
| GKS 30/100 | 3-4 | 8.3 | 7.5 | 1.2 | 1650 | 630 | 1150 | 120 | 350 |
| GKS 30/150 | 6-8 | 10 | 11 | 3.1 | 2380 | 840 | 1730 | 120 | 580 |