

Grain Separator

GCS

Genç Değirmen[®]
MILLING MACHINERY

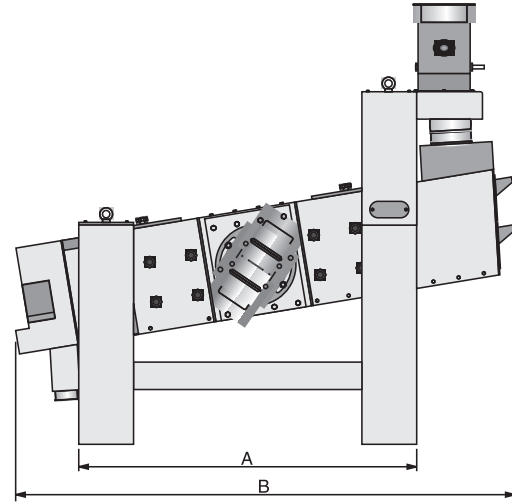
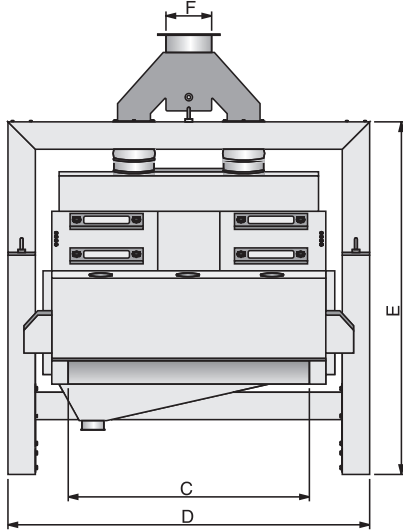
Excellent Milling Properties...

WORKING PRINCIPLES

Separator is used to separate the products by their size and cleans wheat to bigger and smaller things in grain by vibration. Thanks to this vibration, wheat flows and clean up by sifting. Sieves size and types are changeable according to product type.



Product Data Sheet



| Type | Technical Features | | | Sieve Dimensions (mm) | Dimensions (mm) | | | | | | Weight (kg) |
|--------------|--------------------|-----------|------------------|-----------------------|-----------------|------|------|------|------|-----|-------------|
| | Capacity (t/h) | | Power (kw) | Width x Length | A | B | C | D | E | F | |
| | *Pre-Cleaning | *Cleaning | | | | | | | | | |
| GCS 80/160 | 15-20 | 6-8 | 2 x 0.35 (Vibro) | 2 x 790 x 1590 | 1210 | 2050 | 800 | 1140 | 1450 | 120 | 550 |
| GCS 100 /150 | 16-22 | 7-9 | 2 x 0.35 (Vibro) | 2 x 990 x 1490 | 1200 | 1890 | 1000 | 1340 | 1450 | 120 | 500 |
| GCS 100/200 | 25-30 | 10-12 | 2 x 0.75 (Vibro) | 2 x 990 x 1990 | 1610 | 2300 | 1000 | 1340 | 1450 | 120 | 650 |
| GCS 150/200 | 40-50 | 16-18 | 2 x 0.75 (Vibro) | 2 x 1490 x 1990 | 1850 | 2650 | 1500 | 1980 | 2410 | 250 | 1300 |