

Dampener With Three Rotor *GTC*

Genç Degirmen
MILLING MACHINERY

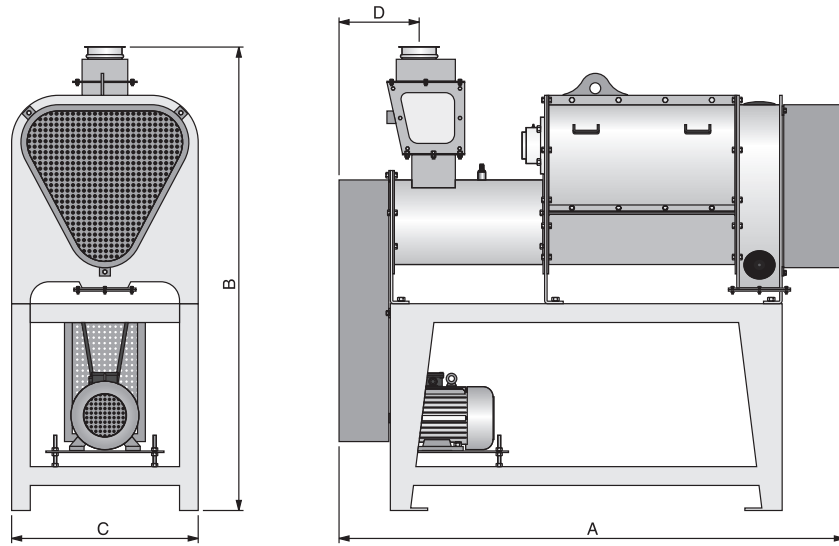
Excellent Milling Properties...

WORKING PRINCIPLES

The intensive dampener's rotor system provides intensive but gentle dampening of grain with a moisture addition level.



Product Data Sheet



Type	Technical Features				Dimensions (mm)				Weight(kg)
	Capacity (t/h)	Water Addition (max %)	Power (kW)	Volume (m3)	A	B	C	D	
GTC 32/50	6-8	4-5	7.5	1.6	1585	1600	710	420	375
GTC 326100	10-12	4-5	11	2.4	2100	1750	710	420	550
	12-14	4-5	15	2.4	2230	1750	710	420	750