

Air-Recycling Tarar GKRT

Genç Değirmen
MILLING MACHINERY

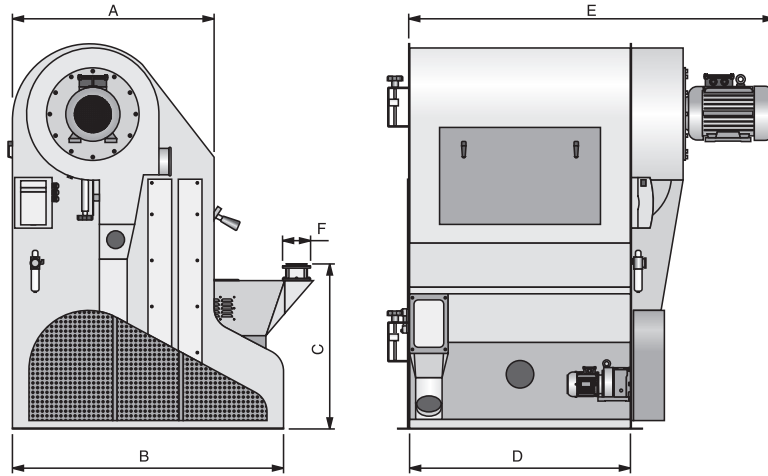
Excellent Milling Properties...

WORKING PRINCIPLES

Radial Tarar is used for separate low density things such as dust, glume, weak grains from the high density grains by air recycling aspiration system.



Product Data Sheet



Type	Technical Features			Dimensions(mm)						Weight (kg)
	Capacity (t/h)	Volume(m ³)	Asp. Power(kw)	A	B	C	D	E	F	
GKRT 60	5-6	0.55	4	900	1135	655	608	1155	120	460
GKRT 80	6-8	0.55	4	900	1135	655	808	1355	120	550
GKRT 100	12-14	0.55	4	900	1135	655	1008	1555	150	580
GKRT 150	18-20	0.55	2 x 4	900	1135	655	1508	2600	150	970