

# Rotoflow Vibro Discharger GRF

**Genç Değirmen**  
MILLING MACHINERY

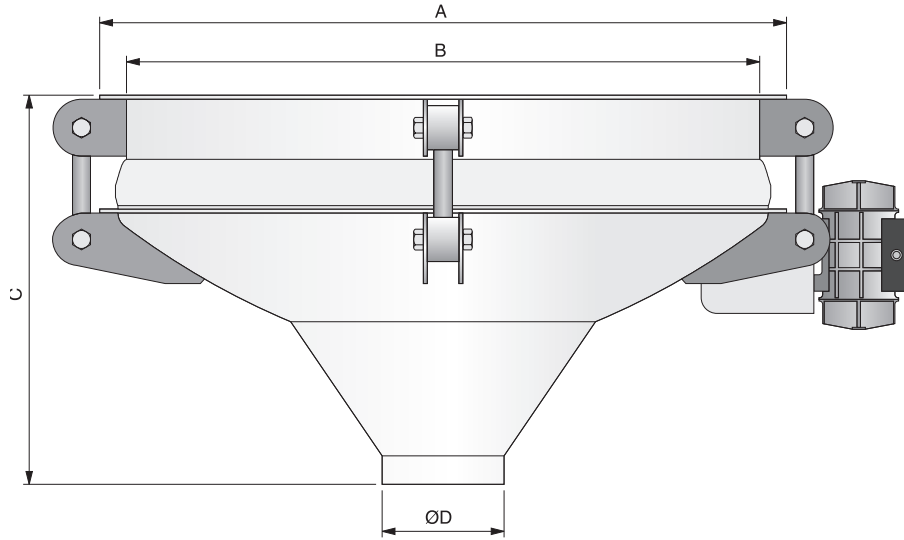
*Excellent Milling Properties...*

## WORKING PRINCIPLES

Vibro Discharger is used to discharge of powder products inside of silos.



**Product Data Sheet**



Type	Technical Features		Dimensions (mm)				Weight (kg)
	Volume (m <sup>3</sup> )	Power (kW)	A	B	C	ØD	
GRF 60	0.4	0.085 (Vibro)	690	570	400	160	150
					*500	*200	
GRF 80	0.8	0.17(Vibro)	890	770	500	200	175
					*550	*300	
GRF 100	1.3	0.17(Vibro)	1090	970	620	200	250
					*750	*300	
GRF 130	2.3	0.3(Vibro)	1390	1270	750	300	200
					*900	*500	
GRF 160	2.8	0.3(Vibro)	1690	1570	740	300	350
					850	*500	
GRF 200	7.2	0.3(Vibro)	2090	1970	930	300	475
					*1175	*500	