

Pneumatic Slide

GKL

Genç Değirmen
MILLING MACHINERY

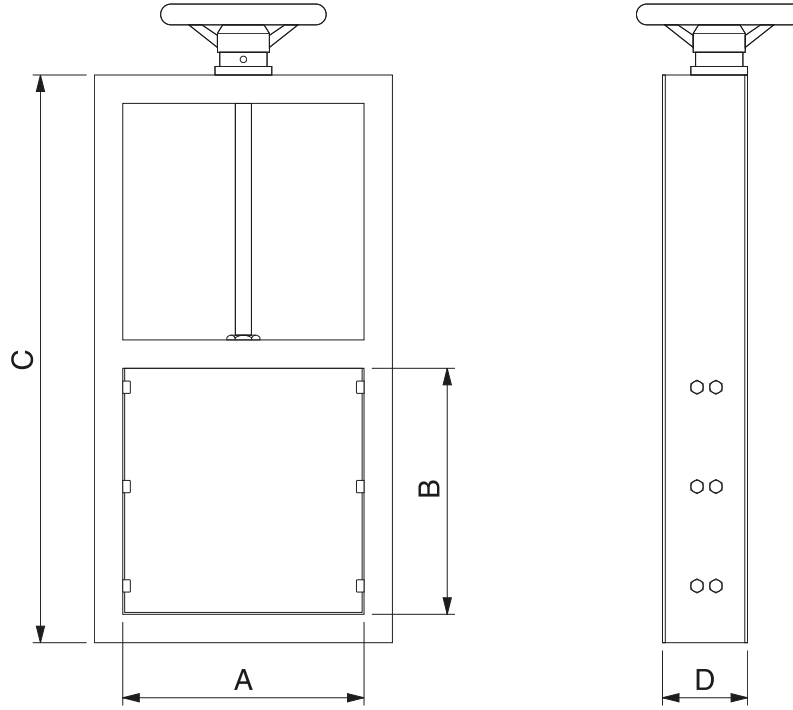
Excellent Milling Properties...

WORKING PRINCIPLES

Pneumatic Slide is used to discharge or stop of raw material or product's flow by air and automatic control system.



Product Data Sheet



Type	Technical Features			
	A	B	C	D
GKL 165	165	165	430	90
GKL 180	180	180	460	90
GKL 200	200	200	500	90
GKL 230	230	230	560	90
GKL 250	250	250	600	90
GKL 280	280	280	660	90
GKL 300	300	300	700	90
GKL 330	330	330	760	90
GKL 380	380	380	820	90
GKL 410	410	410	860	90