

Flour Bagging Machine With Double Weigh Hopper & Four Stations

Genç Degirmen
MILLING MACHINERY

Excellent Milling Properties...

CAPACITY INFORMATION:

While it varies according to the product to be bagged and the tolerance required, the values relating to the packaging speed below shall provide some information about the capacity of the system.

- 9 ton/hour in 10 kg bagging
- 20 ton/hour in 25 kg bagging
- 37,5 ton/hour in 50 kg bagging

The tolerance per package varies between ± 0.15 kg in the 50-kg packaging. In addition to this, it is undertaken to be operated with 37.5 ton/hour capacity in the products such as flour or in similar characteristics with the average error share per package.

PACKAGING SET VALUES

The package filling weights could be preferred between 10 - 25 - 50 kg by the operator.



Flour Bagging Machine With Double Weigh Hopper & Four Stations

Product Data Sheet



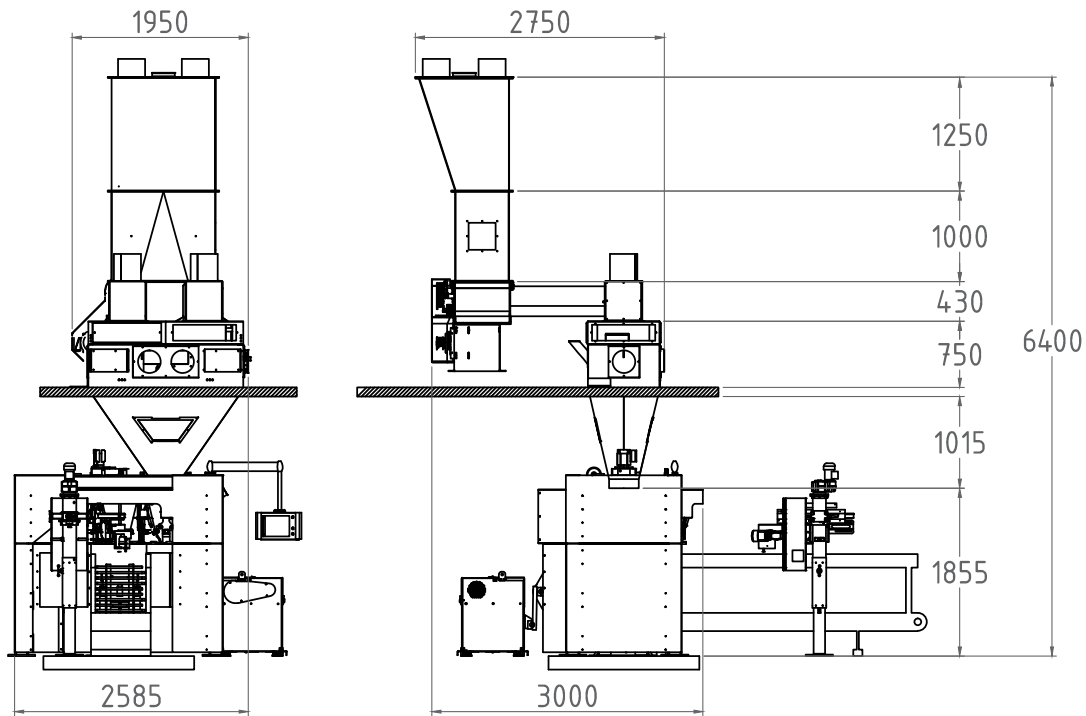
Flour Bagging Machine With Double Weigh Hopper & Four Stations

Product Data Sheet



Flour Bagging Machine With Double Weigh Hopper & Four Stations

Product Data Sheet



TECHNICAL FEATURES

| | |
|----------------------------------|------------------------|
| Type of Product to Be Packed | Flour |
| Density (Flour) | 0,55 kg/m ³ |
| Maximum Weighing Weight | 2 x 55 Kg |
| Weighing Range -Options | 10 - 25 - 50 Kg |
| Weighing Accuracy | ±% 0,3 |
| Top Bunker Capacity | 1.645 Liter |
| Platter Capacity | 2 x 110 Liter |
| Output Capacity 10 Kg | 9,00 Ton/Hour |
| Output Capacity 25 Kg | 20,00 Ton/Hour |
| Output Capacity 50 Kg | 37,50 Ton/Hour |
| Weighing Units 10 Kg | 900 Pack./Hour |
| Weighing Units 25 Kg | 800 Pack./Hour |
| Weighing Units 50 Kg | 750 Pack./Hour |
| System Pressure | 6 - 8 Bar |
| Air Supply (m ³ /Min) | 40 m ³ /Min |
| Power Supply (VAC) (+5% - 10%) | 400 VAC / 50-60 Hz. |
| Electricity consumption | 25 kW/Hour |
| Weight | 6365 Kg |