

# High Pressure Air Filter Conical Bottom Flat-Based

GJIF



*Excellent Milling Properties...*

## WORKING PRINCIPLES

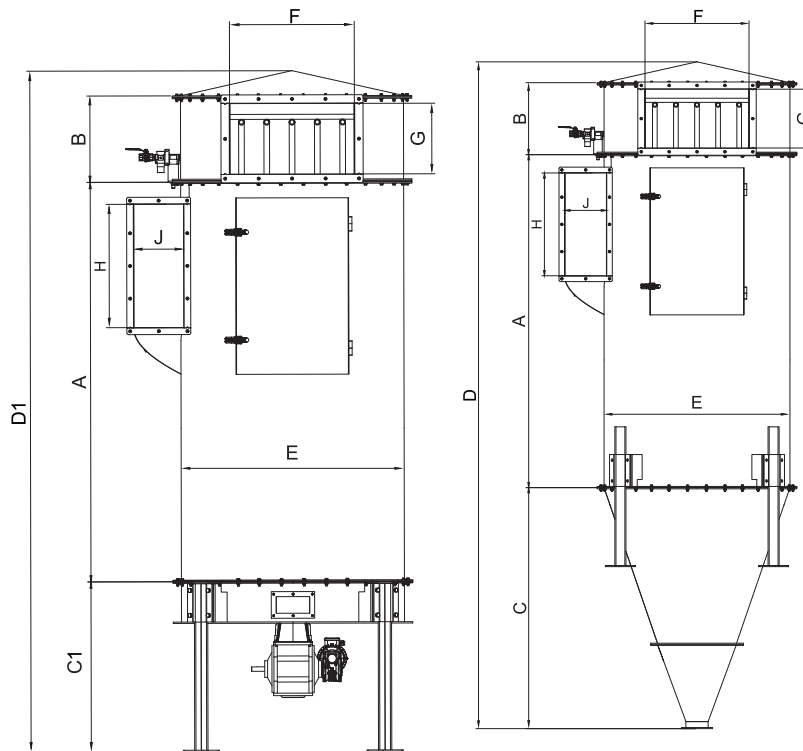
It is designed for separation of dust and other particles from aspiration and pneumatic conveyance air. The filters can be placed both on the pressure and suction side of the system.

## FEATURES

- Simple And Easy Installation
- Reliable Operation
- Less Maintenance
- High Cleaning Ratio
- High Sanitation
- Optional Explosion Door



# Product Data Sheet



Type		GJIF 18				GJIF 20				GJIF 26				GJIF 39				GJIF 52				GJIF 78				GJIF 104							
Bag Length (mm)		1200	1800	2400	3000	1200	1800	2400	3000	1200	1800	2400	3000	1200	1800	2400	3000	1200	1800	2400	3000	1200	1800	2400	3000	1200	1800	2400	3000	1200	1800	2400	3000
Number of Sleeves (pcs.)		18				20				26				39				52				78				104							
Filter Area (m <sup>2</sup> )		7.6	11.5	15.5	18	8.5	12.7	17.2	20	11	16.6	22.4	26	16.5	25	33.5	39	22	33.3	44.7	52	33	50	67	78	44	66	89	104				
DIMENSIONS (mm)	A	1200	1800	2400	3000	1200	1800	2400	3000	1200	1800	2400	3000	1200	1800	2400	3000	1200	1800	2400	3000	1200	1800	2400	3000	1200	1800	2400	3000	1200	1800	2400	3000
	B	625	625	625	625	625	625	625	625	625	625	625	625	625	625	625	625	625	625	625	625	625	625	625	625	490	490	490	490	490	490	490	490
	C	1200				1280				1390				1735				1960				2355				2600							
	D	3010	3610	4210	4810	3190	3790	4390	4990	3218	3818	4418	5018	3590	4190	4790	5390	3815	4415	5015	5615	4215	4815	5415	6015	4460	5060	5660	6260				
	C1	820				820				820				820				820				820											
	D1	2680	3280	3880	4480	2680	3280	3880	4480	2680	3280	3880	4480	2680	3280	3880	4480	2680	3280	3880	4480	2680	3280	3880	4480	2680	3280	3880	4480	2680	3280	3880	4480
	ØE	1000				1060				1140				1340				1500				1840				2020							
	F	450				450				596				750				950				1400				1900							
	G	424				424				424				424				424				424				424							
	H	590				590				586				740				740				884				890							
Weight (Kg)		480	540	590	650	544	610	675	740	585	655	725	795	890	995	1100	1215	1115	1240	1365	1500	1615	1790	1965	2150	2120	2375	2630	2885				