

PURILINA

Semolina Purifier / GIS

Genç Degirmen
MILLING MACHINERY

Excellent Milling Properties...

WORKING PRINCIPLES

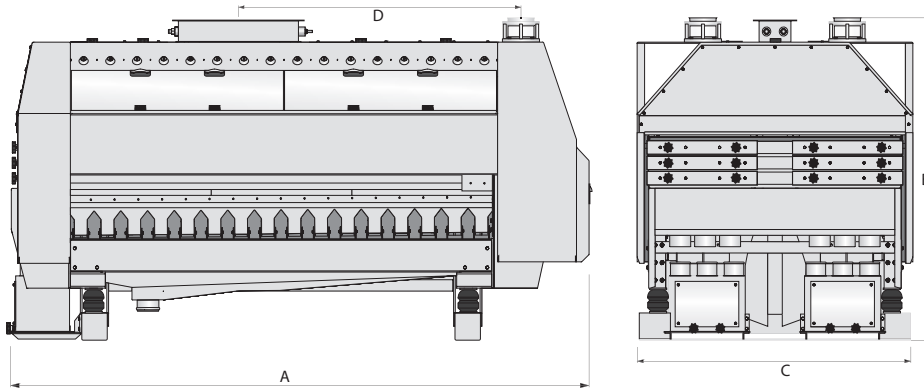
The Purifier is used for the cleaning and classification of semolina, in wheat/maize flour and semolina mills. The product flow rate is adjustable by regulating plate then product can be spread uniformly on the surface of screen. The screening process is carried out by 3 layers of frame. Aero dynamic air section system is composed of sixteen chambers for every passage and allows required adjustment for best air distribution. Thanks to LED lighting system, it provides less energy consumption. Product flow pipes can be crossed through in the middle of machine.

FEATURES

- Effective Cleaning
- Trouble Free Operation
- Noiseless Working
- Quick And Easy Replacement Of Sieves
- High Sanitation



Product Data Sheet



Type	Technical Features				Dimensions(mm)				Weight (kg)
	Sieve Area in (m ²)	Volume (m ³)	Air Required (m ³ /min)	Power (kW)	A	B	C	D	
GIS 2/46/200	4.5	4.5	40-70	2 x 0.20 (vibro)	2755	1420	1300	1327	1200