

GPF Pneumatic Fan High Pressure Fan

Genç Degirmen
MILLING MACHINERY

Excellent Milling Properties...

WORKING PRINCIPLES

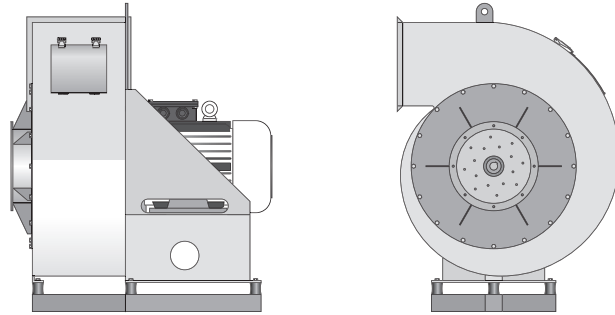
It is applied for the conveying of intermediate stocks in the milling process. It has multi-purposed with high production. The noise level has been minimized.

FEATURES

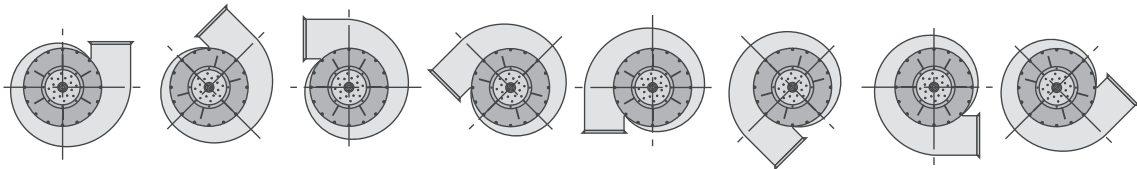
- Smooth Operation
- Fixed To Body Has Anti-Vibration Pads
- Noiseless Working
- Maximum Efficiency
- Minimum Maintenance Need



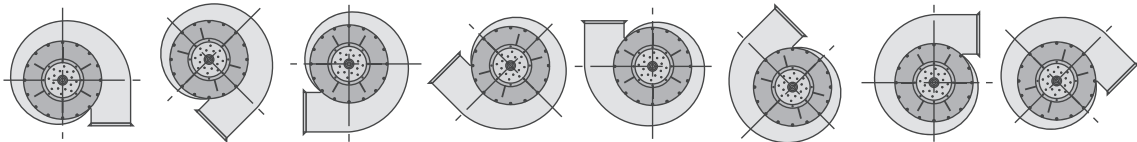
Product Data Sheet



Right Direction							
0°	45°	90°	135°	180°	225°	270°	315°



Left Direction							
0°	45°	90°	135°	180°	225°	270°	315°



Type		GPF 15	GPF 18	GPF 22	GPF 30	GPF 37		GPF 45	GPF 55				GPF 75	GPF 90		GPF 110	GPF 132
Power	(Kw)	15	18	22	30	37	37	45	55	55	55	55	75	90	90	110	132
	Rpm	3000	3000	3000	3000	3000	3000	3000	3000	3000	3000	3000	3000	3000	3000	3000	3000
Weight (kg)		315	400	420	435	600	525	600	750	680	670	675	930	1100	1100	1300	1350