

# Impact Detacher

## GIF / GIP

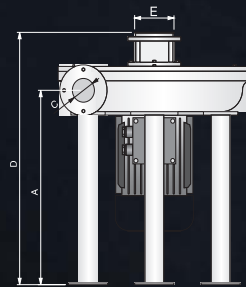
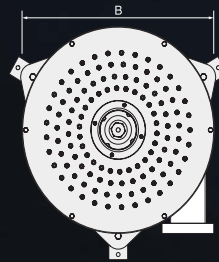
*Excellent Milling Properties...*

### WORKING PRINCIPLES

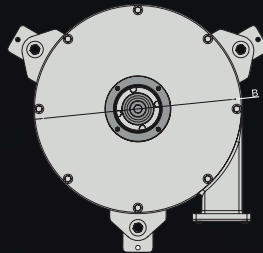
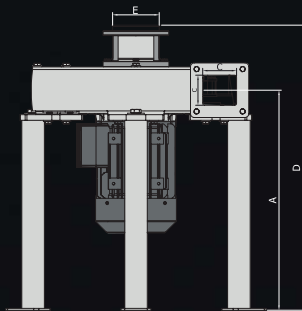
It is used to separate and grind semolina in the milling section. This process increases the yield of flour and consumes less energy comparing to other grinders.

### FEATURES

- Low Operational Cost
- Minimum Periodic Maintenance
- High Efficiency
- High Durability
- Various Installation Possibilities



Type	Technical Features				Dimensions(mm)					Weight (kg)
	Capacity (t/h)	Power (kW)	Rotor (Ø mm)	Volume (m³)	A	B	ØC	D	ØE	
GIF 55	1.1	5.5	510	0.23						110
GIF 75	1.75	7.5	510	0.23	628	610	80	790	120	190
GIF 110	1.75	11	510	0.23						110



Type	Technical Features				Dimensions(mm)					Weigh (kg)
	Capacity (t/h)	Power (kW)	Rotor (Ø mm)	Volume (m³)	A	B	ØC	D	ØE	
GIP 40	2.3	4.0	430	0.23	585	550	90x50	758	120	125
GIF 55	4.0	5.5	430	0.23						145